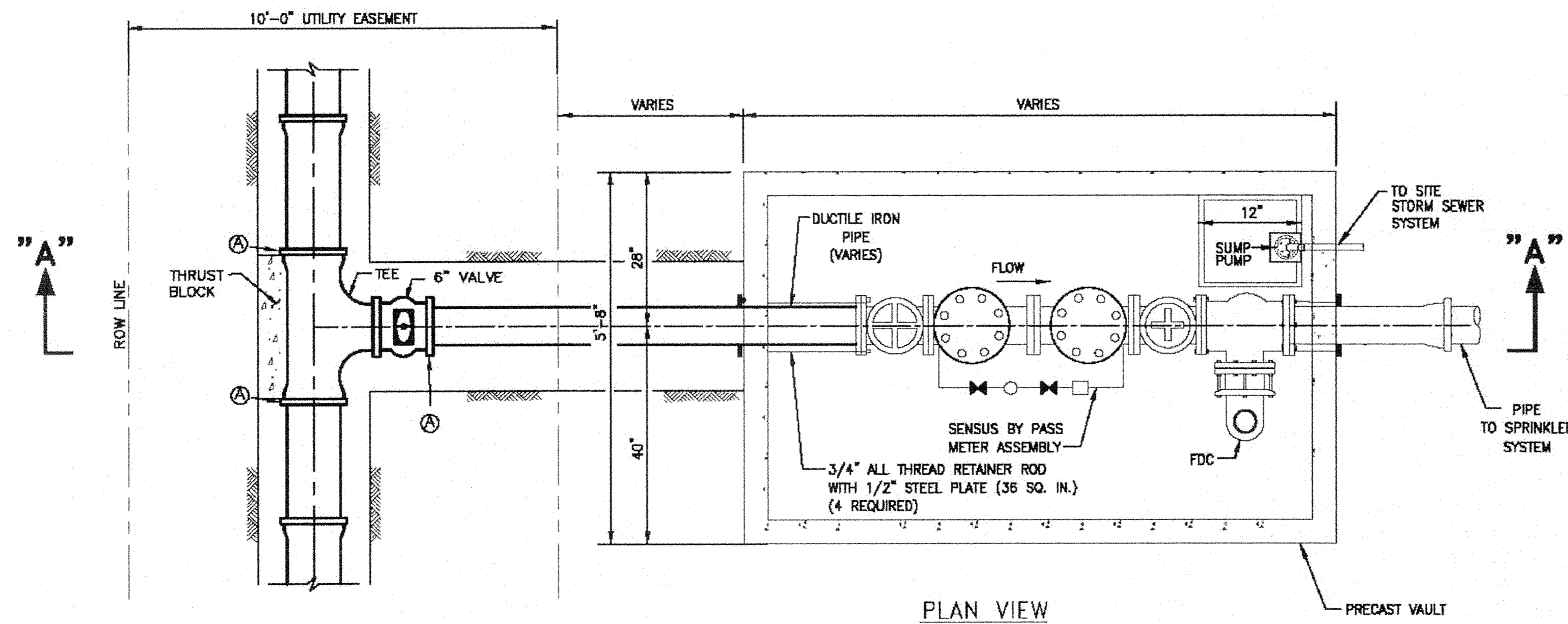


PLOT TIME

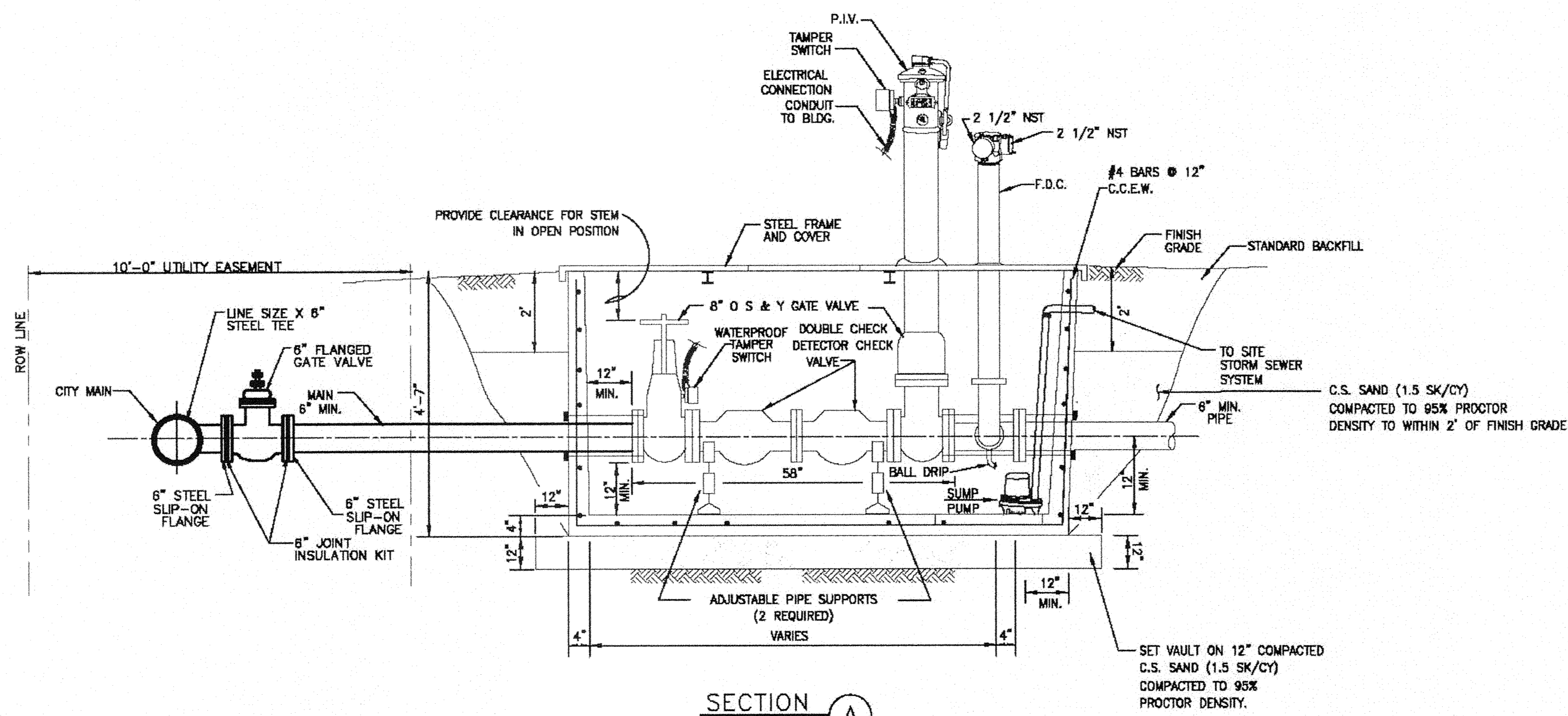


TYPICAL FIRE SERVICE METER Ⓐ = RESTRAINED JOINT

NOTES:

1. FIRE HYDRANT REQUIRED WITHIN 50' LINEAR FEET OF THE FIRE DEPARTMENT CONNECTION.
2. FIRE VALVE MAY BE SUBSTITUTED FOR GATE VALVE ON THE CUSTOMER SIDE. SUPPLIED BY PARK EQUIPMENT COMPANY, OR APPROVED EQUAL.
3. ALL FIRE LINE VAULTS SHALL BE EQUIPPED WITH A SUMP PUMP CAPABLE OF MAINTAINING WATER LEVELS BELOW THE CENTER LINE OF THE CHECK VALVES. OUTLET SHALL BE CONNECTED TO SITE STORM SEWER SYSTEM.
4. SUMP PUMP MAY BE ELIMINATED IF BOX CAN BE DRAINED VIA GRAVITY TO SITE STORM SEWER SYSTEM.
5. ALL COMPONENTS SHALL BE INSTALLED IN ACCORDANCE WITH NFPA 13 "STANDARDS FOR THE INSTALLATION OF SPRINKLER SYSTEMS".
6. REFER TO GENERAL NOTES, WATER LINE AND STORM SEWER NOTES.
7. ALL FITTINGS AND PIPE JOINTS WITHIN 10' OF A FITTING SHALL HAVE RESTRAINT JOINTS

SL-WA-23



SECTION A
TYPICAL FIRE SERVICE METER

No.	DATE	REVISION

TEXAS ENGINEERING & MAPPING CO.
REGISTRATION # F-2906

CARLOS J. BARILLAS
50474
PROFESSIONAL ENGINEER

DESIGN ENGINEER: *Carlos J. Barillas* DATE: 11/11/13

CITY OF SUGAR LAND, TEXAS
ENGINEERING DEPARTMENT

CONSTRUCTION PLANS FOR:
**WATER LINE
FIRE SERVICE METER VAULT**

JOB No.:	SL-18
DATE:	
DESIGNED BY:	
DRAWN BY:	
CHECKED BY:	
SCALE:	

SL-WA-24

CAD FILE PATH:
PLOT DATE: