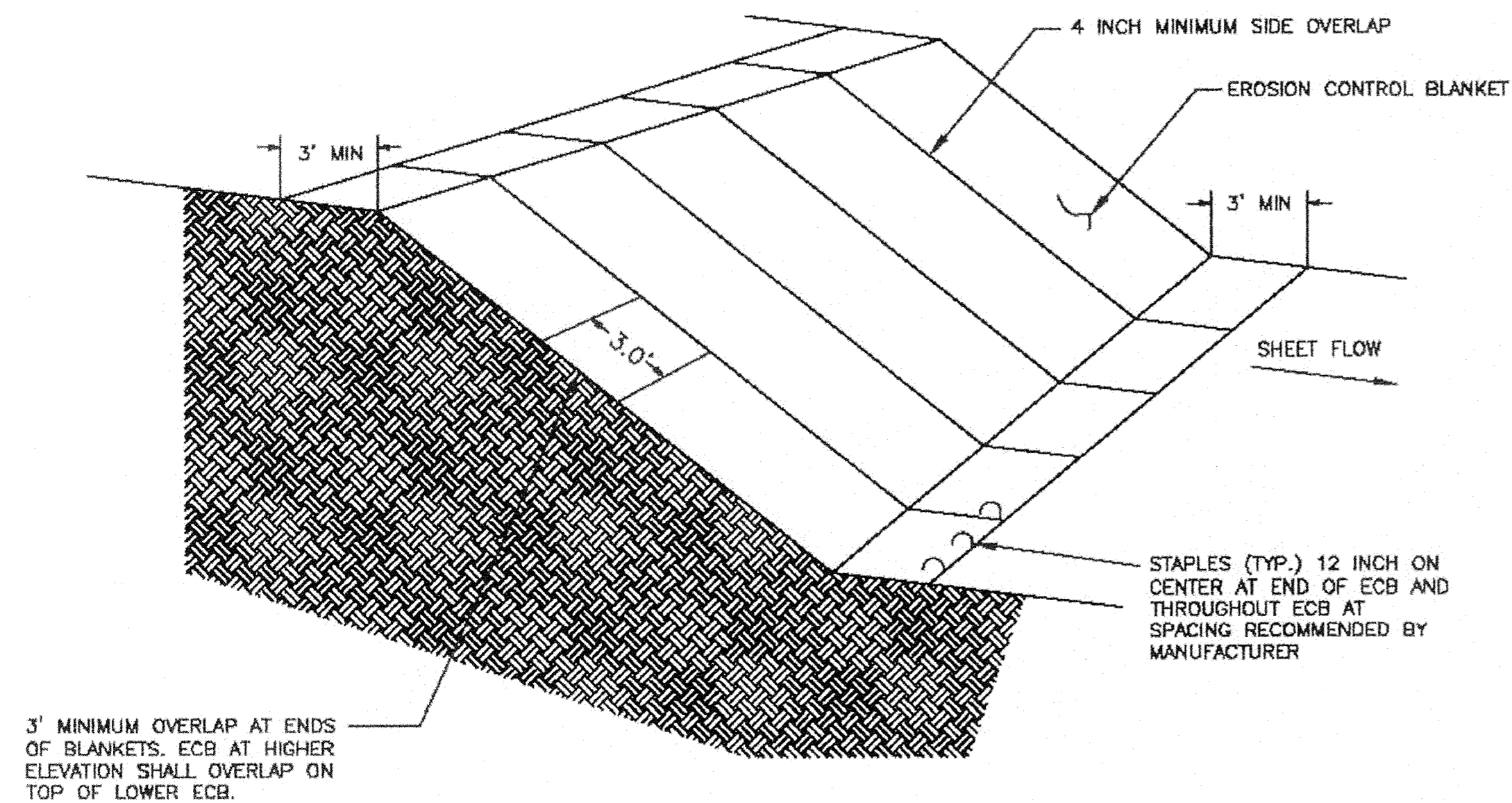
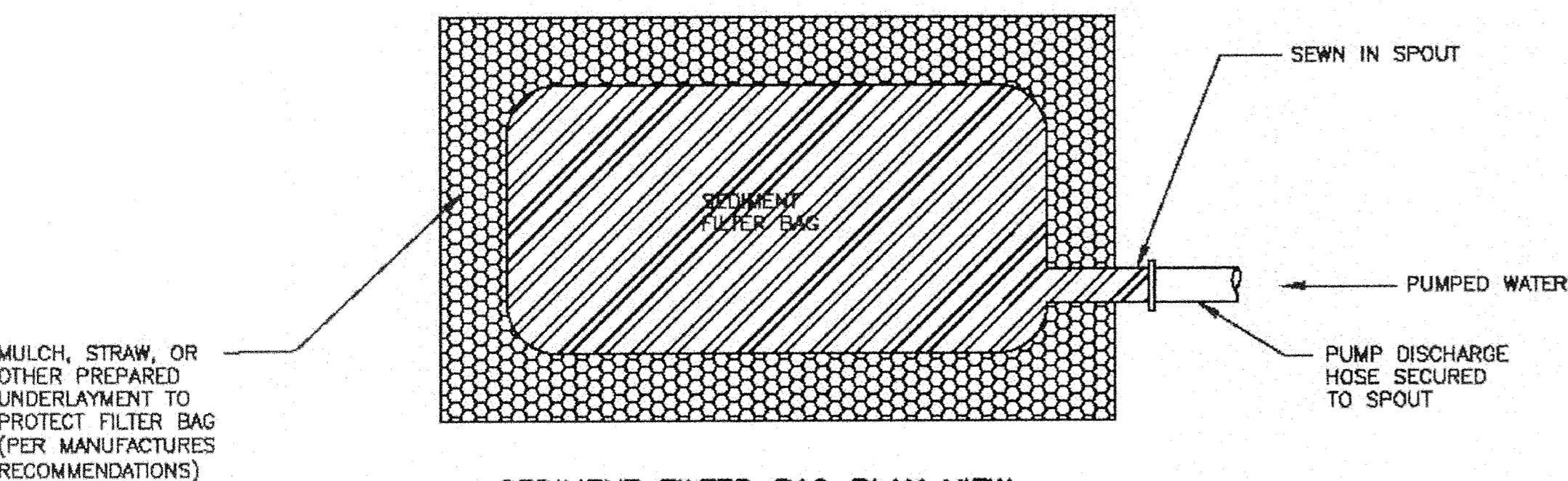


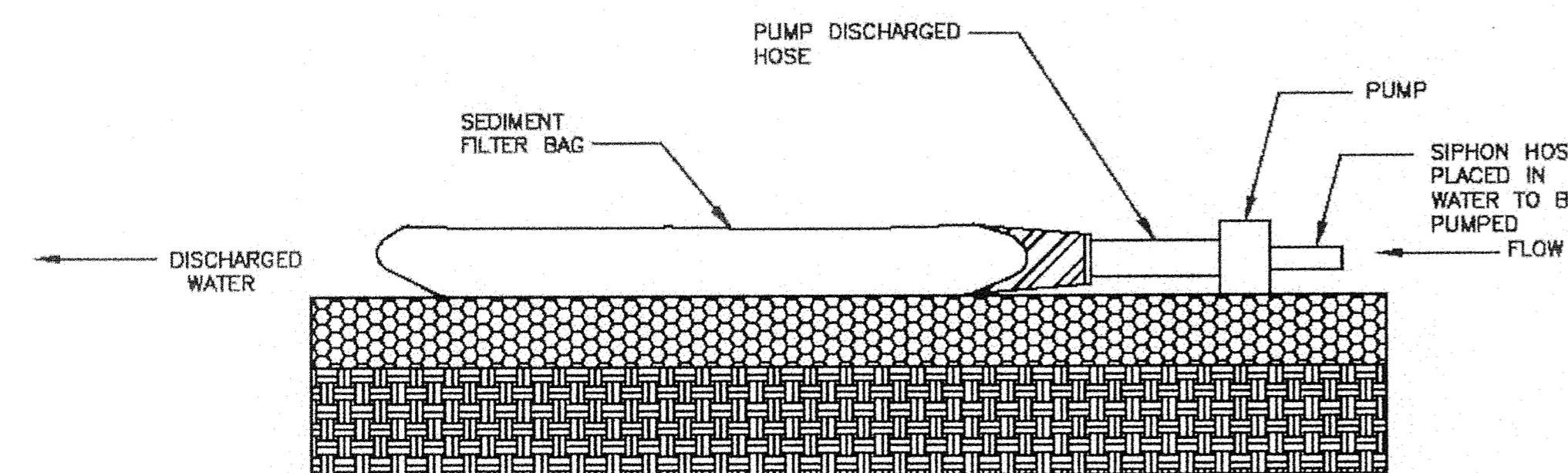
PLOT TIME:



**EROSION CONTROL BLANKETS**  
N.T.S.



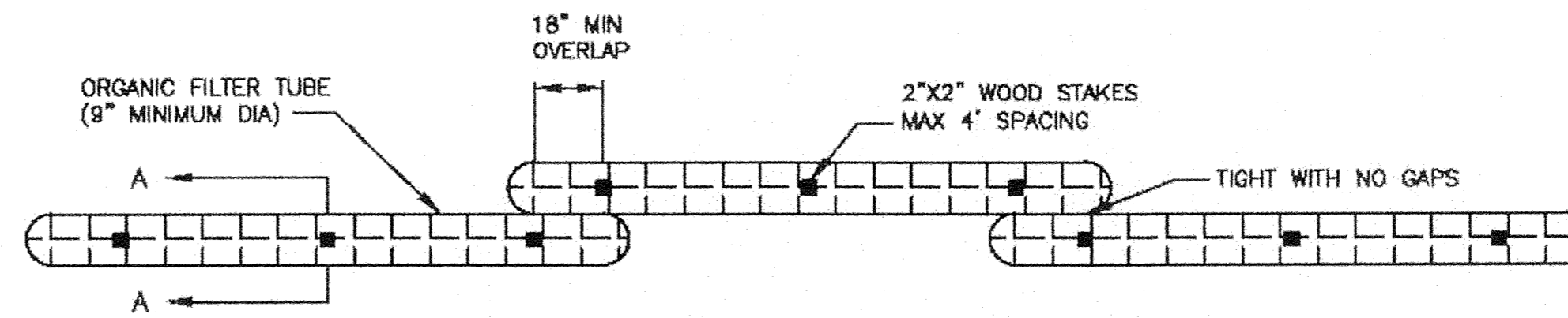
**SEDIMENT FILTER BAG PLAN VIEW**  
N.T.S.



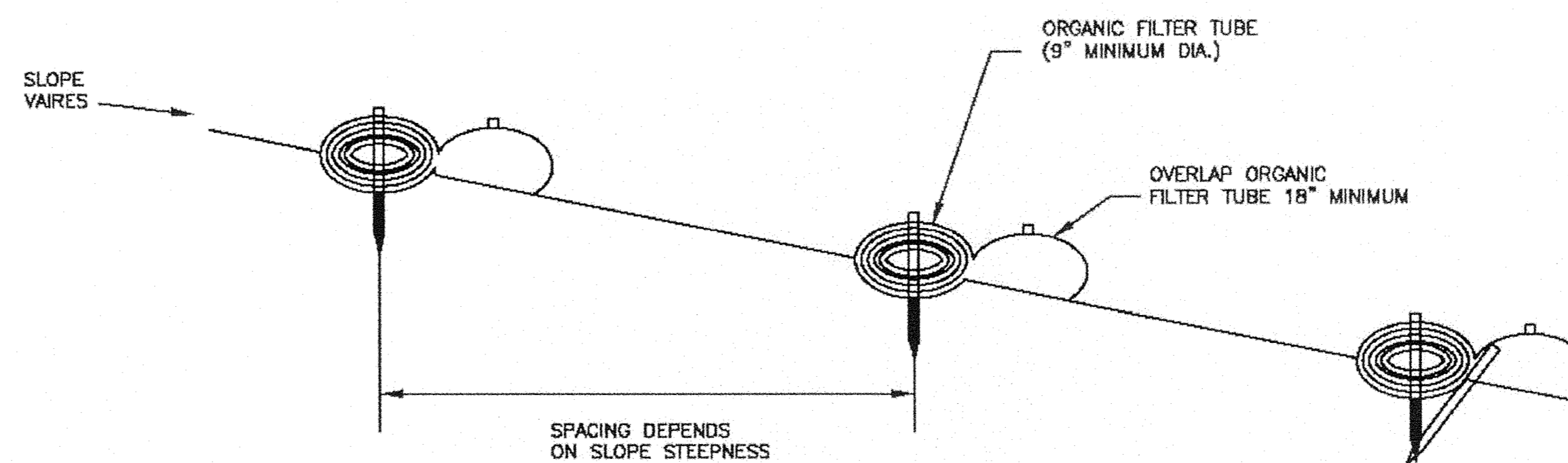
**SEDIMENT FILTER BAG PROFILE**  
N.T.S.

NOTE: A FILTRATION BAG IS NOT REQUIRED IF THE DRAINAGE SYSTEM CAN BE ADEQUATELY PROTECTED

**DEWATERING CONTROLS**  
N.T.S.



**ORGANIC FILTER TUBE PERIMETER CONTROL PLAN VIEW**  
N.T.S.



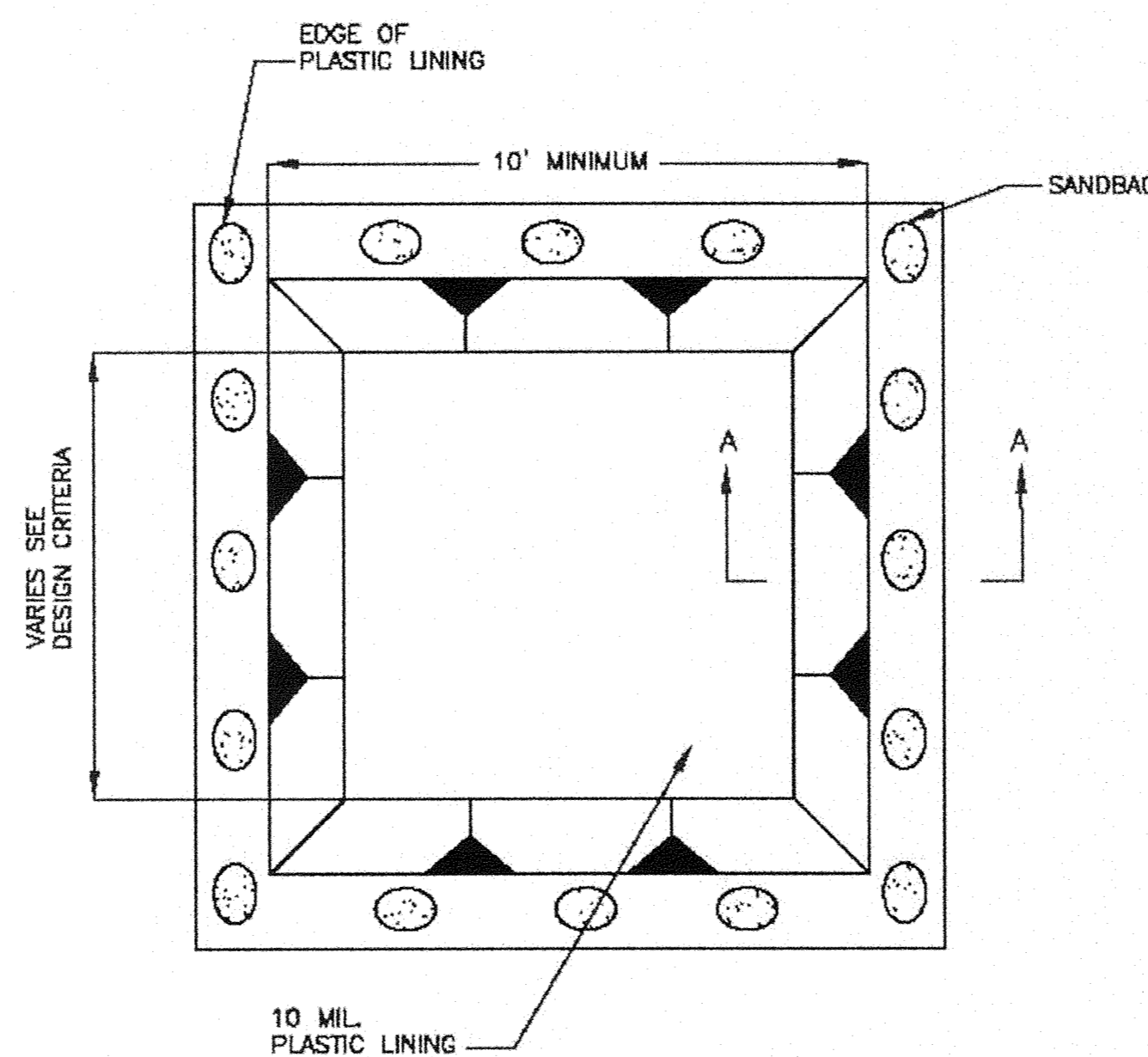
**ORGANIC FILTER TUBE PERIMETER CONTROL PROFILE**  
N.T.S.

FOR SLOPES OF 2:1 OR STEEPER, A SECOND STAKE AGAINST THE DOWNSLOPE FACE OF THE TUBE MAY BE NEEDED DEPENDING ON SOIL TYPE

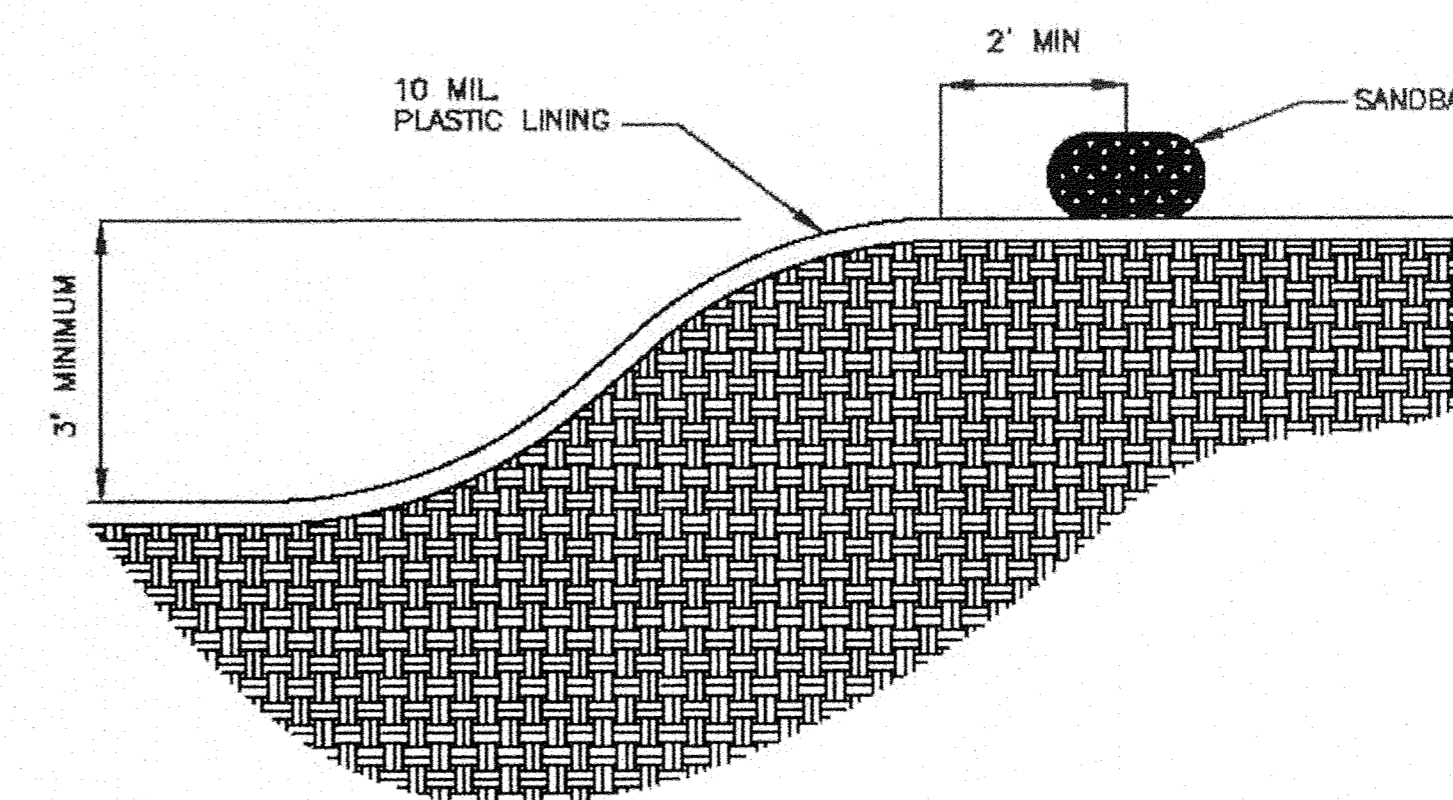
**ORGANIC FILTER TUBES NOTES**

1. TYPE OF NETTING, FILTER MATERIAL, DIAMETER OF TUBE, AND SPACING OF TUBES SHALL BE SPECIFIED BY THE DESIGNER BASED ON THE FOLLOWING SITE PARAMETERS:
  - SIZE OF CONTRIBUTING DRAINAGE AREA
  - STEEPNESS OF SLOPE
  - GROUND CONDITIONS (SOIL OR PAVEMENT)
2. DESIGNER SHALL SHOW ON THE DRAWINGS THE LOCATIONS WHERE TUBE ARE TO BE TURNED UPSLOPE. UPSLOPE LENGTHS SHALL BE MINIMUM OF 10 FEET.

**FILTER TUBE**  
N.T.S.



**CONCRETE WASHOUT PLAN VIEW**  
N.T.S.



**CONCRETE WASHOUT SECTION A-A**  
N.T.S.

**CONCRETE WASHOUT NOTES**

1. SANDBAGS MAYBE REPLACED BY A SOIL BERM TO ANCHOR THE PLASTIC BAG

**CONCRETE WASHOUT AREA**  
N.T.S.

No.	DATE	REVISION

SEAL: TEXAS ENGINEERING & MAPPING CO. REGISTRATION # F-2906  
DESIGN ENGINEER: *Carlos J. Barillas* DATE: 11/1/12



CITY OF SUGAR LAND, TEXAS  
ENGINEERING DEPARTMENT

CONSTRUCTION PLANS FOR:

**EROSION CONTROL DETAILS - 2**

JOB No.:  
DATE:  
DESIGNED BY:  
DRAWN BY:  
CHECKED BY:  
SCALE:

SL-35

SHEET OF

CAD FILE PATH:  
PLOT DATE: