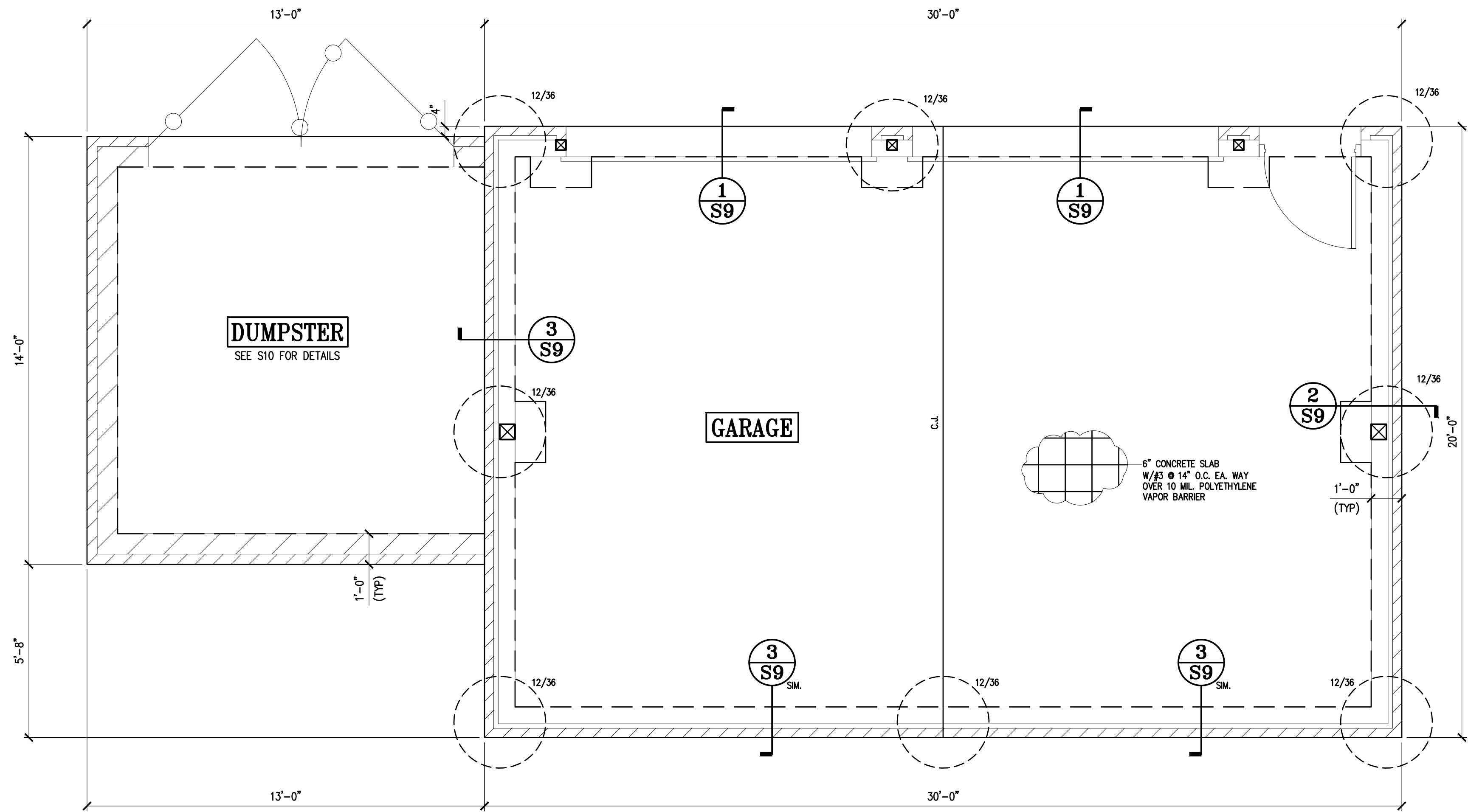
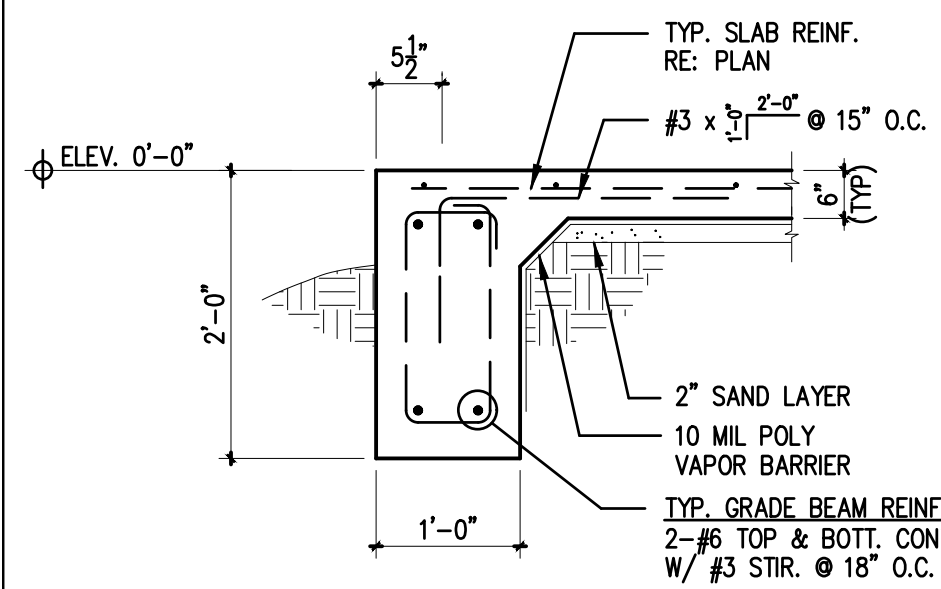


PERGOLA DETAIL
SCALE: 1/2" = 1'-0"

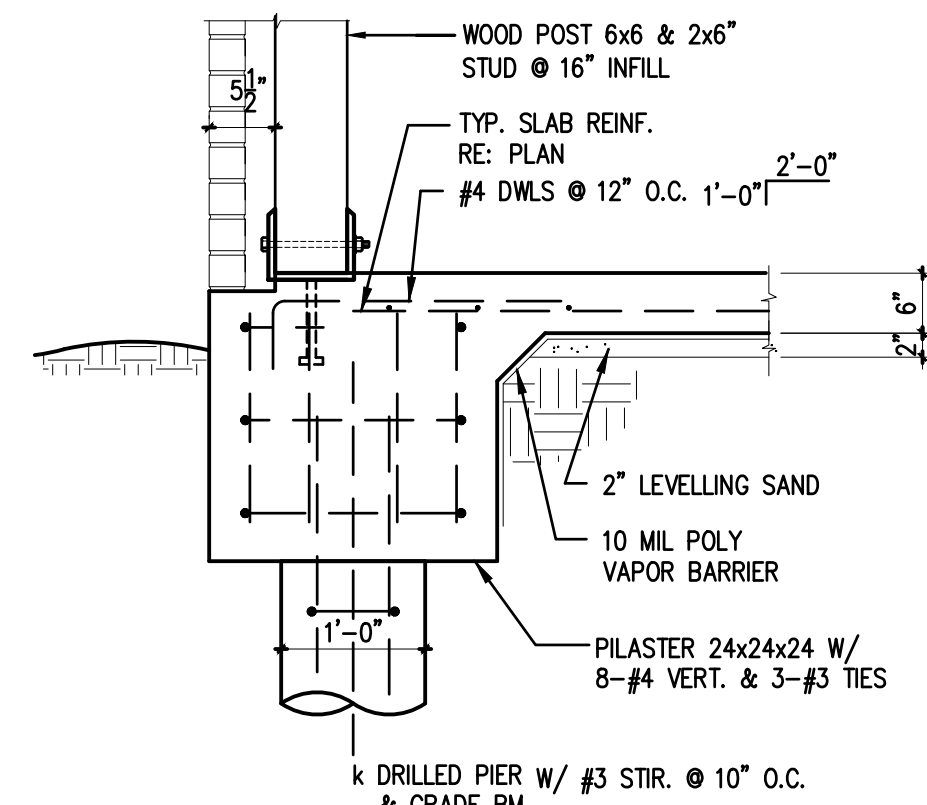


DUMPSTER GARAGE FOUNDATION PLAN

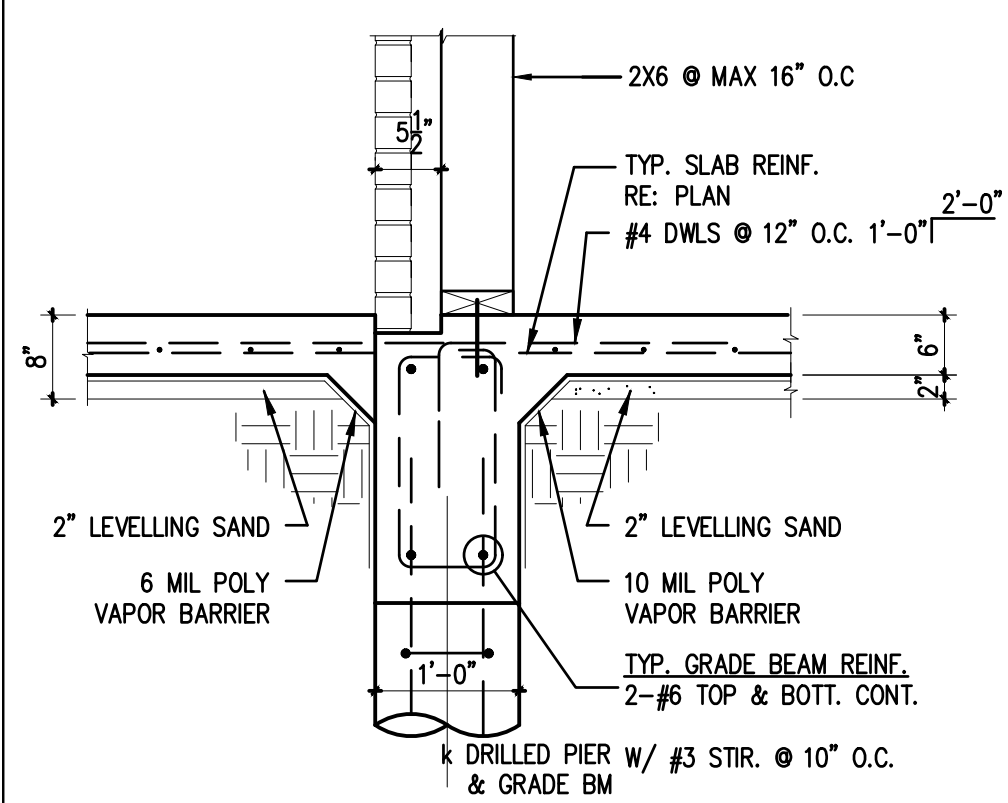
SCALE: 3/8" = 1'-0"



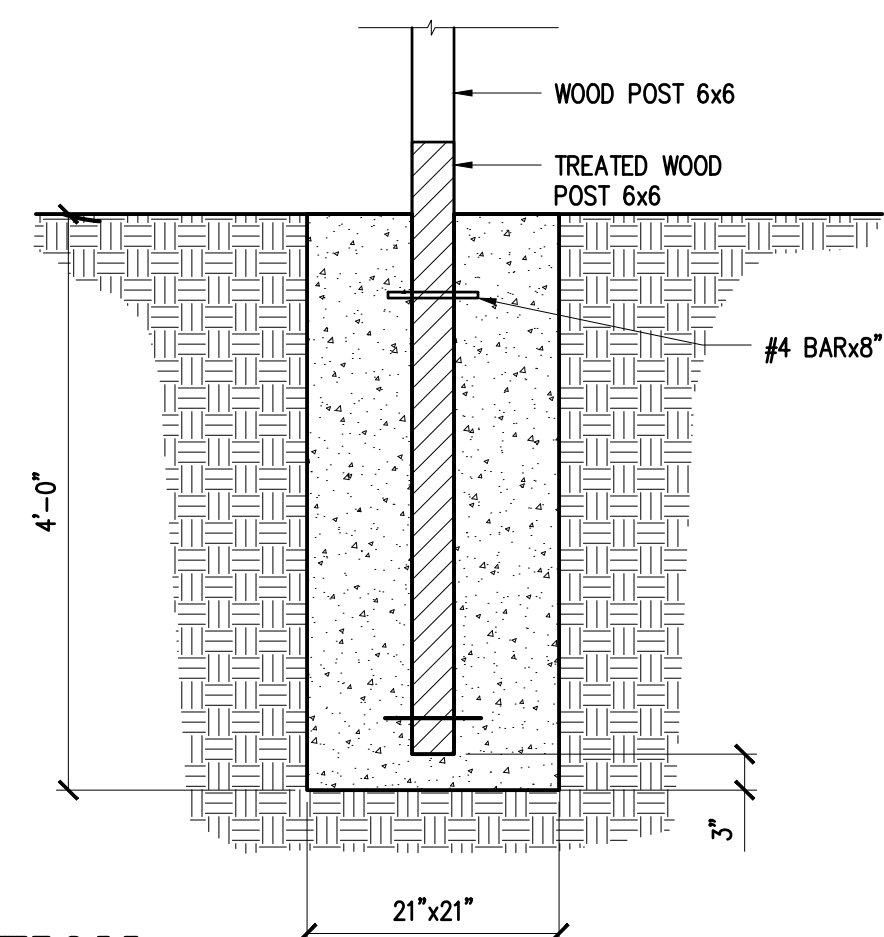
1 SECTION: TYPICAL GRADE BEAM @ O.H. DOOR



2 SECTION: AT COLUMN & WALL



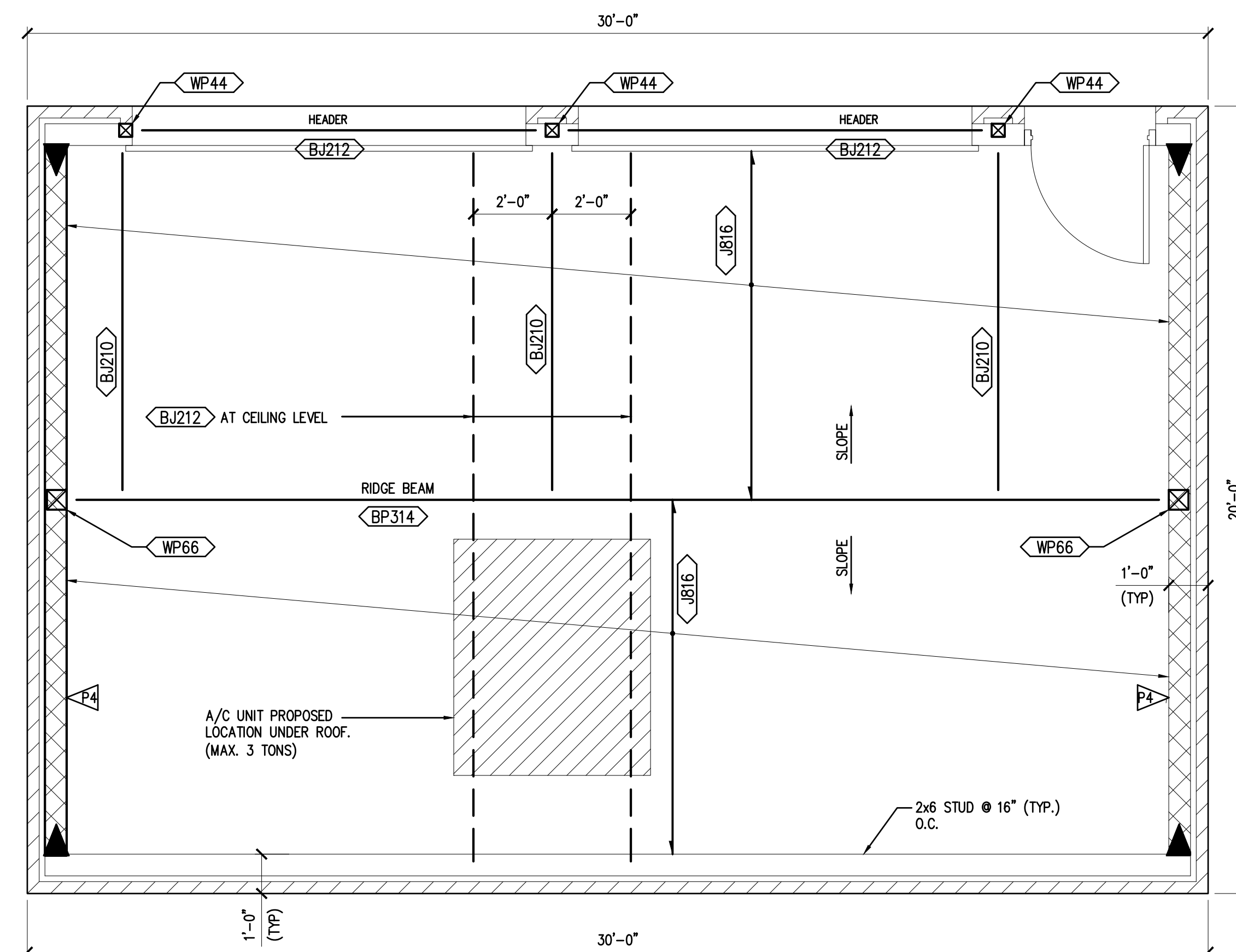
3 SECTION: AT EXTERIOR BEAM & WALL



4 SECTION: PERGOLA POST FOUNDATION DETAIL

WALL DETAILS

- 2x6 STUD @ 16"
- 5/8" PLYWOOD ON EXTERIOR FACE OF WALLS
- ROOF DECK 5/8" PLYWOOD EXTERIOR GRADE



GARAGE ROOF FRAMING PLAN

SCALE: 3/8" = 1'-0"

GARAGE FOUNDATION & ROOF FRAMING

OPTIMUM PERSONAL CARE PH.2

1110 LAKEVIEW DRIVE
SUGAR LAND, TX. 77478

ISSUE HISTORY

DATE	ISSUED FOR
	CLIENT REVIEW
	PERMIT
	CONSTRUCTION

09/10/15



PE BUILDINGS
BRIDGES
INSPECTIONS
MARINE STRUCTURES
CIVIL ENGINEERING &
STRUCTURAL ENGINEERING

PARAMOUNT ENGINEERING LLC

10145 LONG POINT DR.
HOUSTON, TX 77043

TEL : (713) 636-9977
FAX : (713) 888-9872
CEL : (713) 204-1742

TBPE REGISTRATION # F-3394

DRAWN BY: E.V. CHECKED BY: M.M.

PROJ. NO.: PE12-225

SHEET: **S9**